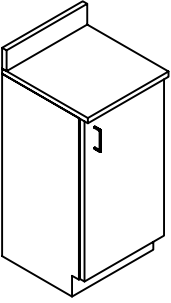
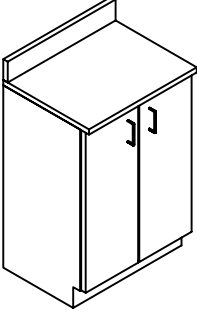
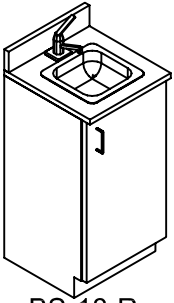
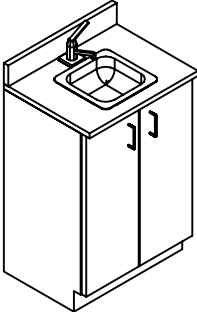
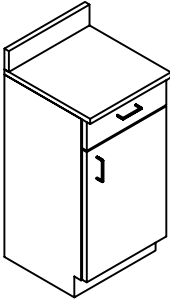
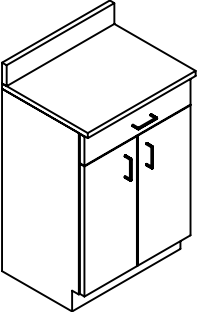
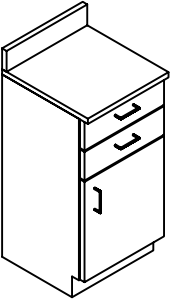
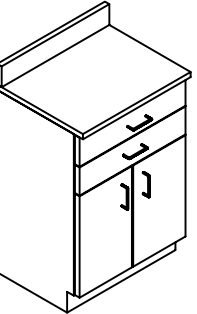
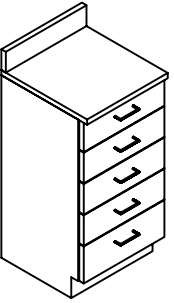
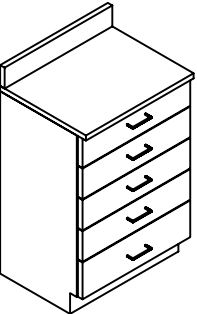
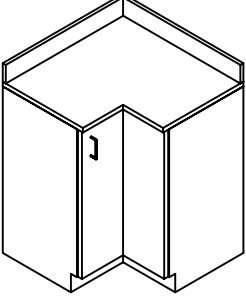
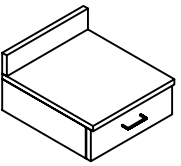
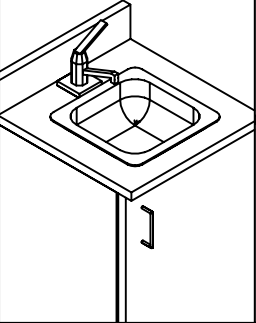
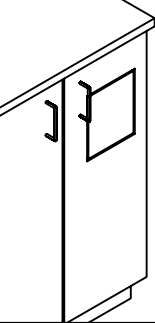
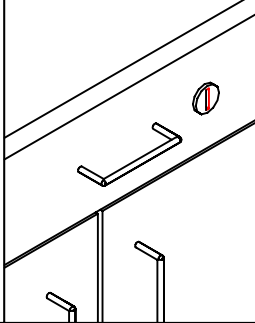
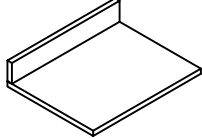

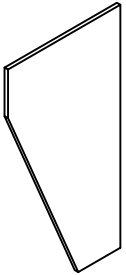
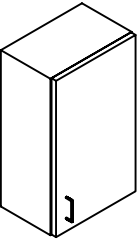
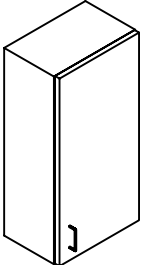
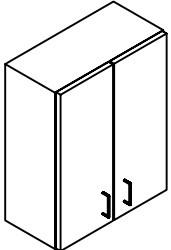
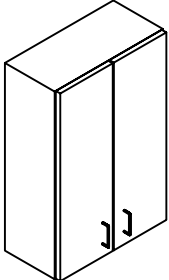
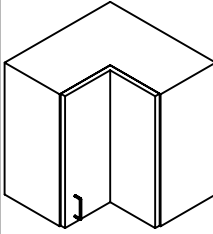
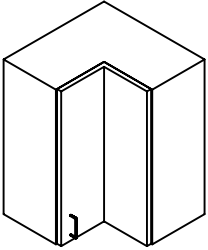



PRO-LINE PROFESSIONAL CABINETS

BASE CABINETS: PRICE INCLUDES ENOUGH COUNTERTOP TO COVER EACH BASE CABINET. ORDER "PL-TOP" BELOW FOR EXTENDED COUNTERTOPS. MUST SPECIFY HINGING ON (1) DOOR CABINETS: R=RIGHT HINGED / L=LEFT HINGED.

STORAGE  B-18-R B-18-L 18"W x 36"H x 18 1/2"D	STORAGE  B-24 24"W x 36"H x 18 1/2"D	SINK BASE  BS-18-R BS-18-L 18"W x 36"H x 18 1/2"D (PL-S SINK OPTIONAL)	SINK BASE  BS-24 24"W x 36"H x 18 1/2"D (PL-S SINK OPTIONAL)	1 DRAWER  B-18-1D-R B-18-1D-L 18"W x 36"H x 18 1/2"D	STORAGE  B-24-1D 24"W x 36"H x 18 1/2"D
2 DRAWER  B-18-2D-R B-18-2D-L 18"W x 36"H x 18 1/2"D	2 DRAWER  B-24-2D 24"W x 36"H x 18 1/2"D	5 DRAWER  B-18-5D 18"W x 36"H x 18 1/2"D	5 DRAWER  B-24-5D 24"W x 36"H x 18 1/2"D	CORNER CAB  BCC-30 30"W 30" x 36"H x 18 1/2"D (PL-S SINK OPTIONAL)	DESK DRAWER  D-18 18"W x 6"H x 18 1/2"D D-24 24"W x 6"H x 18 1/2"D
ACCESSORIES  PL-S SINK / FAUCET / STRAINER	ACCESSORIES  PL-TD TOWEL DROP	ACCESSORIES  PL-LK LOCK	COUNTER TOP  PL-TOP CUT TO SIZE	BASE CAB FILLER  B-F CUT TO SIZE (SENT LOOSE)	DESK LEG  D-EP 3/4"TH x 29"H x 18 1/2"D

WALL CABINETS				CORNER WALL CABINETS		WALL FILLER
 W-18-24-R W-18-24-L 18"W x 24"H x 12"D	 W-18-30-R W-18-30-L 18"W x 30"H x 12"D	 W-24-24 24"W x 24"H x 12"D	 W-24-30 24"W x 30"H x 12"D	 WCC-24-24 24"W x 24" x 24"H x 12"D	 WCC-24-30 24"W x 24" x 30"H x 12"D	 W-F-24 W-F-30 CUT TO SIZE (SENT LOOSE)